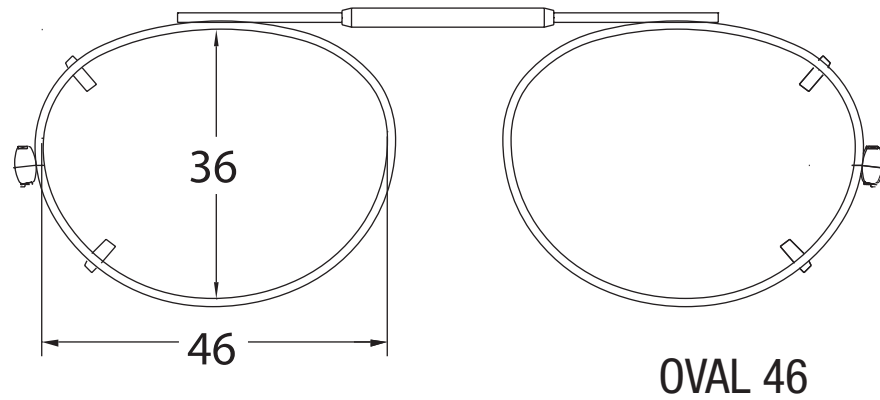
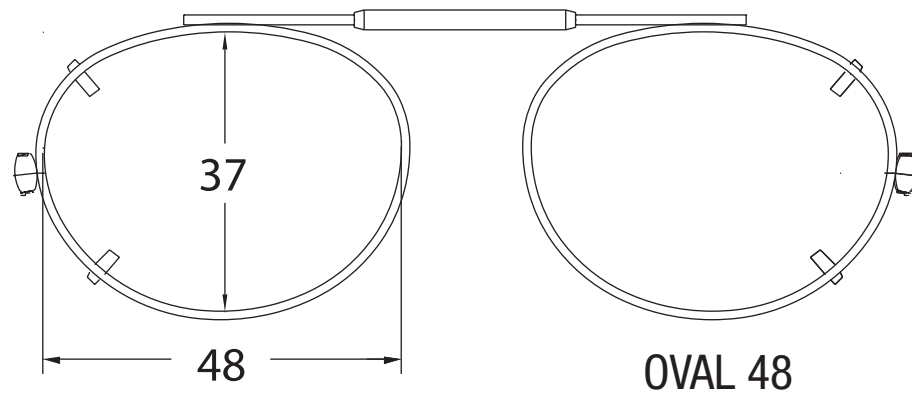


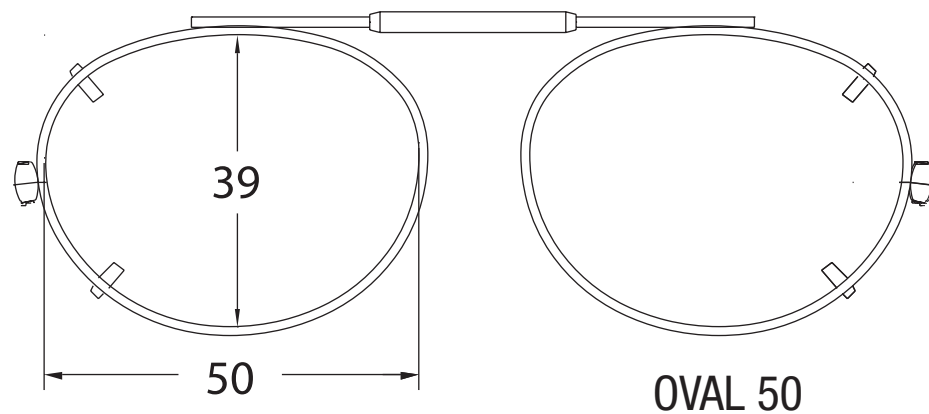
**PRINT THIS PAGE AT 100% RESOLUTION BEFORE USING**



**PLACE A PENNY OVER PENNY IMAGE TO ENSURE PROPER SIZING**



**PLACE YOUR OPTICAL FRAME OVER CLIP IMAGES TO DETERMINE CLIP SHAPE AND SIZE**



**You can also measure your frame in mm and compare to measurements on clip images above**



*Measurements shown in mm*